



CASE
CONSTRUCTION

LOADER BACKHOE 851FX - CENTER PIVOT



BS4
CEV

**4000
HOUR**
HYDRAULIC
OIL
CHANGE INTERVAL

MAIN REASONS TO CHOOSE 851FX CENTER PIVOT



CASE DNA "S'TYLED BACKHOE"

The new backhoe represents the continuity of CASE DNA. The S'tyled boom provides higher reach and better digging depth.



BIGGER AND BETTER

With the new FX series you can reach farther and dig more per cycle with 0.3 m³ standard backhoe bucket & 1.2 m³ spill-proof loader bucket. The backhoe offers class leading forces, various bucket sizes and dipper options.



FAST LOADING CYCLE

The improved FNR lever location & low effort loader lever supports fast directional change, improving site maneuverability and productivity.



ENHANCED SAFETY

New age inclined pillar cabin provides better travel safety. Engine Protection Shutdown protects against unplanned breakdown and Audio Visual warning system makes operations safer.



POWERED FOR ANY APPLICATION

The 97 hp engine delivers class leading 453 Nm torque powering up the machine for any application. 4WD* makes it ready for the toughest jobs specially during uphill and dozing application.



BACKHOE SIMULTANEOUS OPERATION

Simultaneous operation of backhoe levers with optimized cycle times gives better productivity.



HIGH VISIBILITY

Sloping hood, side mounted exhaust, new side quarter windows, internal rear view mirror, newly positioned work lamps and low glare cabin interiors improve all around visibility.



STRAIGHT LOADER ARM

The CASE straight loader arm ensures better work visibility, high dump height, better loading performance and good site maneuverability. It also ensures up to 25% less daily maintenance time.



IMPROVED FUEL EFFICIENCY

ECO mode & one-touch Auto Idle feature gives fuel savings up to 6%.

*Optional

UNIQUE CENTER PIVOT MECHANISM



Designed for lower maintenance cost and better stability on uneven surfaces

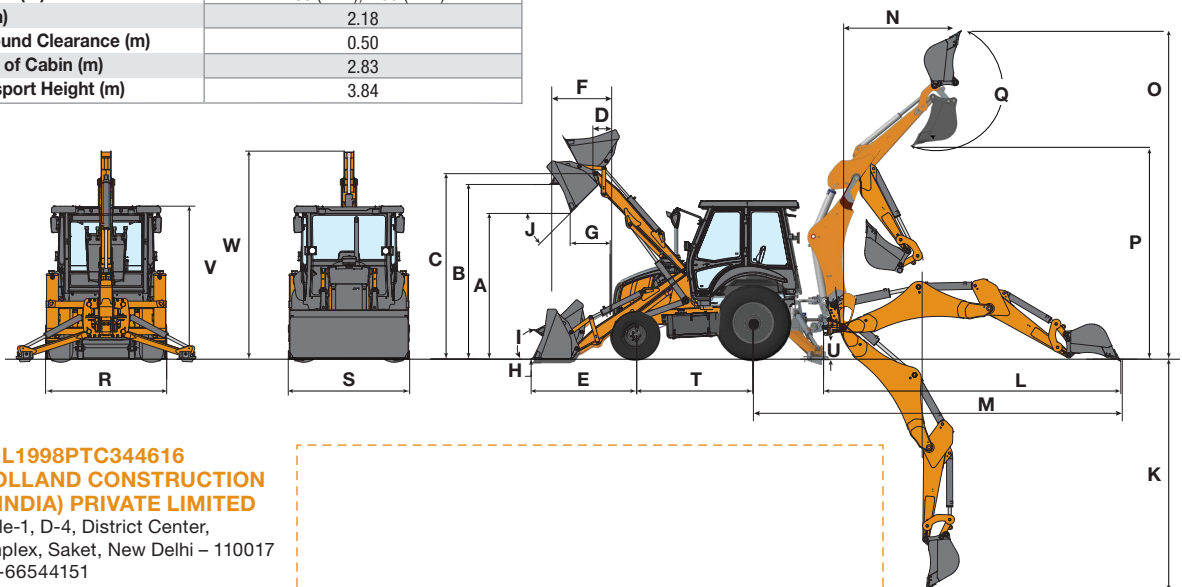


NEW WORLD CLASS CABIN

- The new gen MID - Crystal clear gauges showing critical machine parameter
- Audio and visual warning system & Engine protection shutdown
- On-cluster controls - ECO mode, Auto idle, Electronic RPM knob, 2WD/4WD selector
- Mobile holder on right pillar with HVAC model
- 12V power socket and USB port, HVAC controls on the right
- New parking brake mechanism and Backhoe lever mounted horn
- Split and lockable buddy seat and comfortable operator seat
- Up to 21% higher storage spaces
- Optional HVAC with standard cabin fan

MODEL	851FX CP
ENGINE	FPT
Engine Model	F5BFL413A*W
Emission Compliant	Tier 4B
Engine Displacement (L)	3.4
Engine Air Intake Type	Turbocharged
Engine Gross Power @2200 rpm	72 kW (97 hp)
Engine Max.Torque @1400 rpm (Nm)	453 Nm
HYDRAULIC SYSTEM	
System Type	Closed Centre
Pump Type	Gear
Pump Flow (lpm) @rated rpm	154
System Relief Pressure (bar)	210
LOADER GENERAL DIMENSIONS	
A - Dump Height (m)	2.66
B - Load Over Height (m)	3.30
C - Hinge Pin Height (m)	3.60
D - Hinge Pin Forward Reach (m)	0.24
E - Reach at Ground (m)	2.08 (Std.), 1.98 (BDB)
F - Max. Reach at Full Height (m)	1.19 (2WD), 1.15 (4WD)
G - Max. Reach at Full Height-Bucket Dumped (m)	0.84
H - Below Ground Level-Dig Depth (m)	0.11
I - Rollback at Ground (degree)	33
J - Dump Angle (degree)	45
Bucket Capacity Std. (m³)	1.2
Bucket Breakout Force (kgf/ kN)	5520 / 54.1 6250 / 61.29 (BDB)
Loader Arm Breakout Force (kgf/ kN)	4937/ 48.4 5115/ 50.2 (BDB)
Max. Lifting Capacity @Max. Height	3700
BACKHOE GENERAL DIMENSIONS	
Dipper Configuration	4.6 m (15ft)
K - Max. Dig Depth (m)	4.70
L - Reach Ground Level to Swing Center (m)	5.90
M - Reach-Ground Level to Rear Wheel Centre (m)	7.23
N - Reach at Full Height to Slew Centre (m)	2.34
O - Max. Working Height (m)	5.70
P - Max. Load Over Height (m)	3.80
Bucket Capacity (m³)	0.30
Q - Bucket Rotation (degree)	204
Bucket Breakout Force (kgf/ kN)	5616 / 55.1
Dipper Tearout Force (kgf/ kN)	3780/ 37.1
Max. Lift Capacity (kg)	1530
Safe Working Load (kg) @3.2m Radius	1100
OVERALL DIMENSIONS AND WEIGHTS	
Max. Operating Weight (kg)	8100
Transport Length (m)	6.06
Width Over Stabilizer (m) - up	2.30
R - Width Over Stabilizer (m) - ground	3.23
S - Width Over Bucket (m)	2.30
Track Width- Rear (m)	1.70
Track Width- Front (m)	1.88 (2WD), 1.90 (4WD)
T - Wheelbase (m)	2.18
U - Minimum Ground Clearance (m)	0.50
V - Height to Top of Cabin (m)	2.83
W - Overall Transport Height (m)	3.84

*T&C apply



CIN: U29240DL1998PTC344616
CASE NEW HOLLAND CONSTRUCTION EQUIPMENT (INDIA) PRIVATE LIMITED
 Level-4, Rectangle-1, D-4, District Center, Commercial Complex, Saket, New Delhi – 110017
 Contact No.: 011-66544151
 Email: caseindia@cnhind.com

CaseCE.com 1800 4199 770

NOTE: Standard and optional fittings can vary according to the demands and specific regulations of each country. The illustrations may include optional rather than standard fittings - consult your CASE dealer. Furthermore, CNH Industrial reserves the right to modify machine specifications without incurring any obligation relating to such changes.
 DISCLAIMER: ±2.5% variation on parameters may occur and is acceptable by the industry norms.

SERVICE CAPACITIES	
Engine Oil (L) - System	9.1
Rear Axle (L)	17.1
Hydraulic Oil (L) - System	107
Hydraulic Oil (L) - Replacement/ Interval*	80@ 4000 hrs
Transmission Oil (L) - System	18-2WD, 20-4WD
DEF Tank Capacity (L)	21
Fuel Tank (L)	129
Coolant (L)	20
POWER TRAIN	
Power Train Type	Power Shuttle with TC
Transmission Make and Model	CARRARO 2WD/4WD TLB1
AXLE	
Rear	CARRARO 28.32M
Front	CARRARO 28.32M (2WD) CNH PS1300 (4WD)
Front Axle Oscillation (degree)	±21 (2WD), ±16 (4WD)
STEERING	
Type	Power Steering
System Pressure (bar)	140
Pump Displacement (cc)	125
Turning Circle Outside Bucket-Braked (m)	9.2 (2WD), 9.8 (4WD)
Turning Circle Outside Bucket-Not Braked (m)	11.1 (2WD), 11.2 (4WD)
BRAKES	
Service	Wet Multi Discs, 4 Discs
Parking	Manual with Lever
TYRE	
2WD - Standard - Front	9.0 x 16 – 16 PR
2WD - Standard - Rear	16.9 x 28 – 12 PR
2WD - Heavy Duty - Rear	14.0 x 25 – 20 PR
4WD - Heavy Duty - Front	12.5 x 18 – 12 PR
4WD - Standard - Rear	16.9 x 28 – 12 PR
ELECTRICAL SYSTEM	
Battery	12 volts, 110 Ah
TRAVEL SPEED	
Forward (1st/2nd/3rd/4th) (km/ hr)	6.2/10.0/20.7/39.2
Reverse (1st/2nd/3rd/4th) (km/ hr)	7.4/12.0/24.8/NR
OPTIONAL EQUIPMENT	
Cabin	HVAC
Drive	4WD
Fenders	Front in 4WD
Loader Bucket	Bottom Dump Bucket
Dipper	Extendahoe (Extended Dipper)
Counterweight	Light/Heavy/NC
Tyre	Heavy Duty
Hammer	RBC kit