



AQUARIUS ENGINEERS PVT. LTD.

Concrete Pumps, Batching Plants, Boom Pumps



CONCRETE BOOM PUMP - 43CX-5



► Salient Features:

► Main Features

- Front diagonal outrigger
- Rear swing outrigger
- Closed loop hydraulic system
- Tungsten carbide wear parts
- Cable remote control and cable
- Cover for Hopper
- Support pad for outrigger

► Boom

- 5 section RZ folding boom
- Boom made of high strength alloy steel gives maximum strength & performance and minimum weight of the structure

► Remote Control

- State-of-art handy & lightweight cable remote control
- Unit with all the pump & boom functions in-built
- Wireless control – optional

► Centralised Lubrication System

- For selected points & also easy access, manual grease lubrication system to all points

► Modular Type Boom Control Block

- Occupies less space & is adaptable to proportional boom movement
- Two-hand operation control of outriggers ensures safety in operation

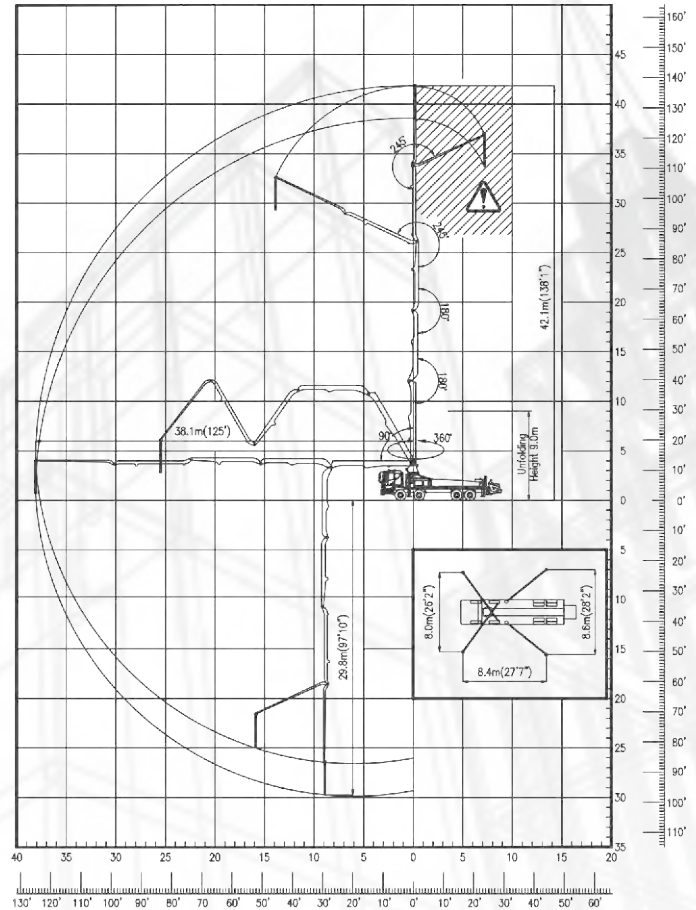
Technical Specifications:

BOOM

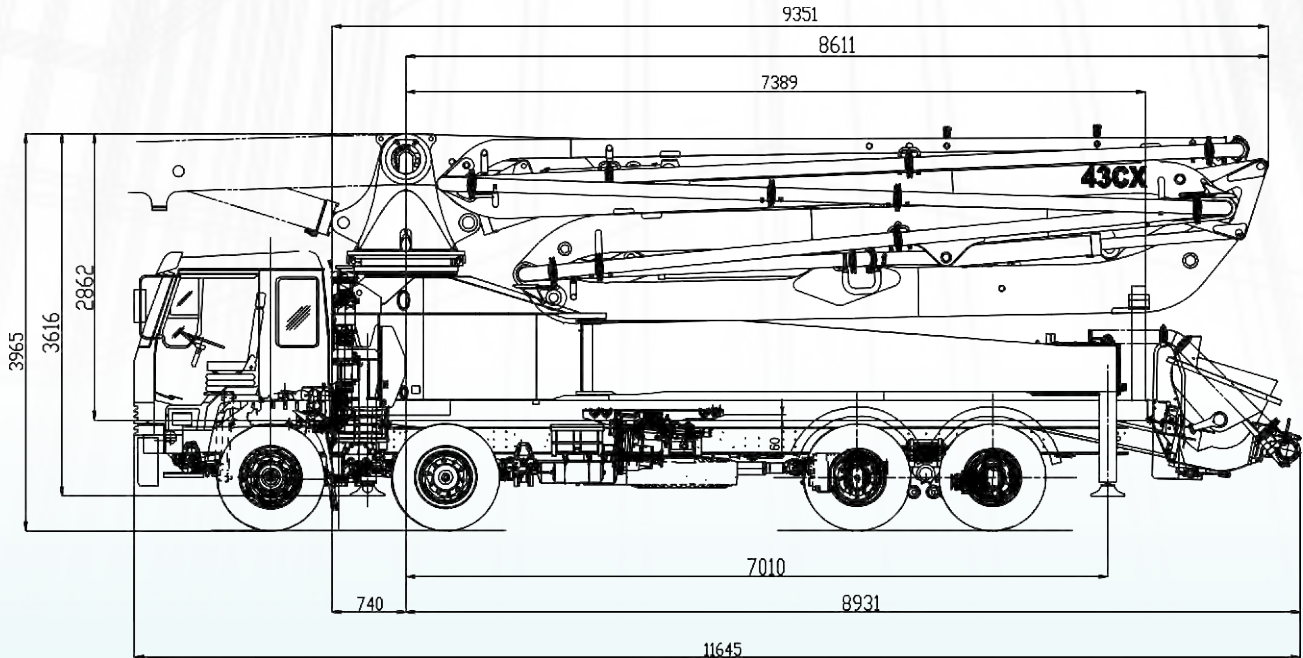
Model Specifications	Unit	43.09
Arms	no.	5
Boom Folding		RZ
Chassis Allowable GVW	kg	31000
Horizontal Reach (max.)	m	38.1
Vertical Reach (max.)	m	42.1
Reach Depth	m	29.8
Max. Support Leg Force: Front	kN	230
Max. Support Leg Force: Rear	kN	180
Unfolding Height	m	9
Slewing Range	deg	360
Delivery Line Diameter	mm	125
Length of End Hose (dn 125)	m	3
Max. Hydraulic Pressure	bar	300
Electrical System	V	24

CONCRETE PUMP

Model Specifications	Unit	43.09
Concrete Output Max. Theoretical	m ³ /hr	90
Concrete Pressure Max. Theoretical	bar	70
No. of Strokes / Min	no.	33
Delivery Cylinder Diameter	mm	200
Piston Stroke Length	mm	1400
Hyd. Transmission Ratio (Rod Side)		1:4.9
Easy Clean Hopper Capacity	l	600
Water Tank Capacity	l	500



⚠ Don't use end hose in caution area UNIT:m(ft.in)



Note: All Dimensions are in mm, unless specified otherwise.

Performance of equipment is based on standard working conditions. Design / Specifications can be changed without prior notice.



® AQUARIUS ENGINEERS PVT. LTD.

Concrete Pumps, Batching Plants, Boom Pumps

'Aquarius House', Sheelavihar Colony, Off Karve Road,
Pune 411 038. INDIA Tel.: +91 20 2544 5227 Fax: +91 20 2544 5228
E-mail: enquiries@aquariusengineers.biz
Web: www.aquariusengineers.biz

Mfg. by: Putzmeister India Pvt. Ltd.
190, 191, Kundaim Industrial Estate, Kundaim, Goa 403 115. India

Local Contact: